

NanoPi M2A/M3

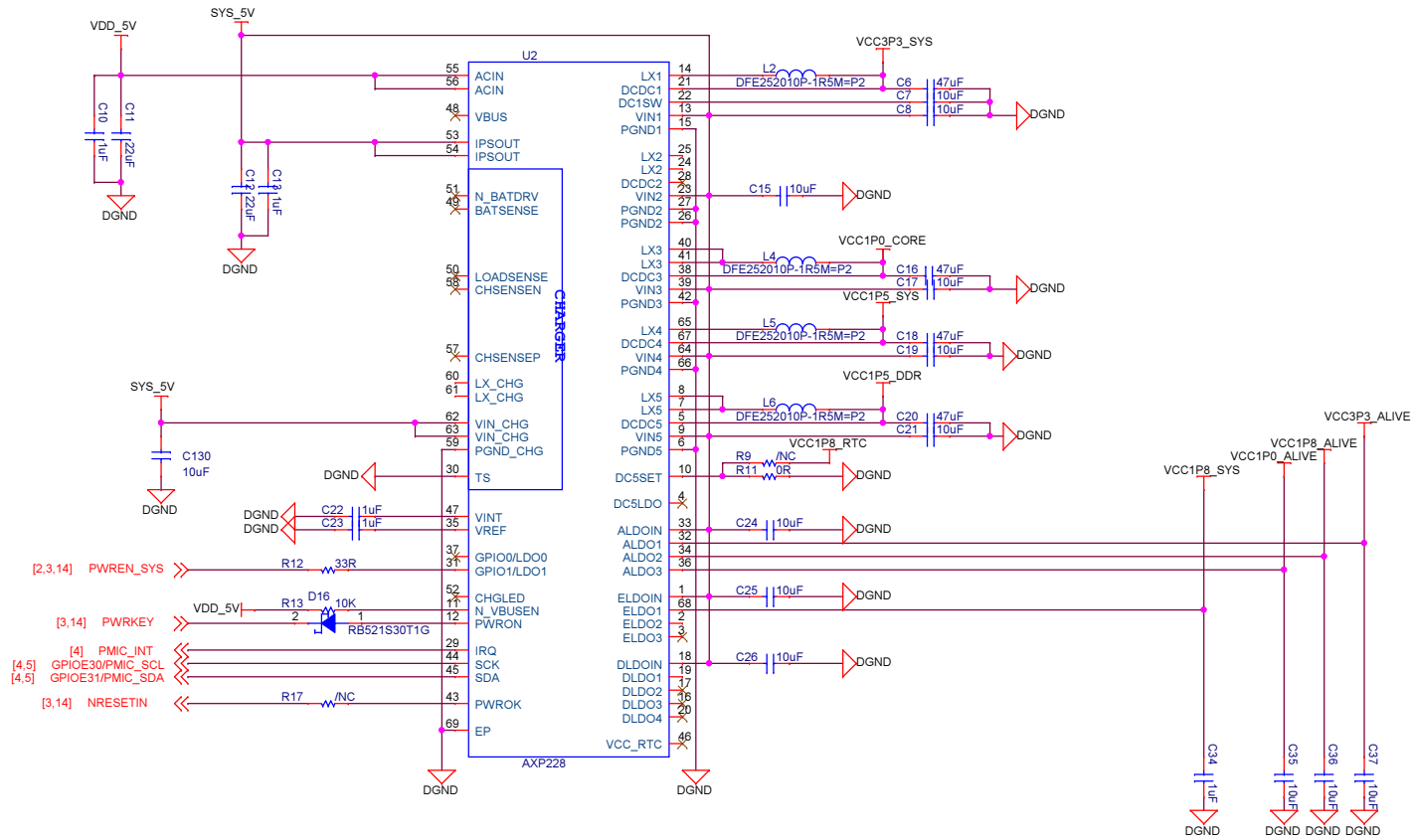
Revision

1604 , First Release

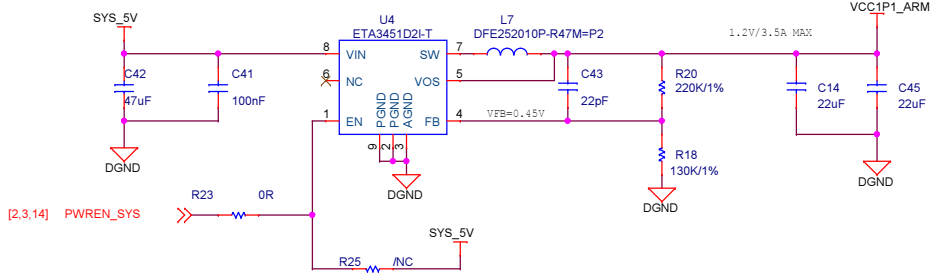
FRIENDLYARM

NanoPi M2A/M3		
Size	Document Number	Rev
A3	01.Title	1604
Date:	Wednesday, May 18, 2016	Sheet 1 of 15

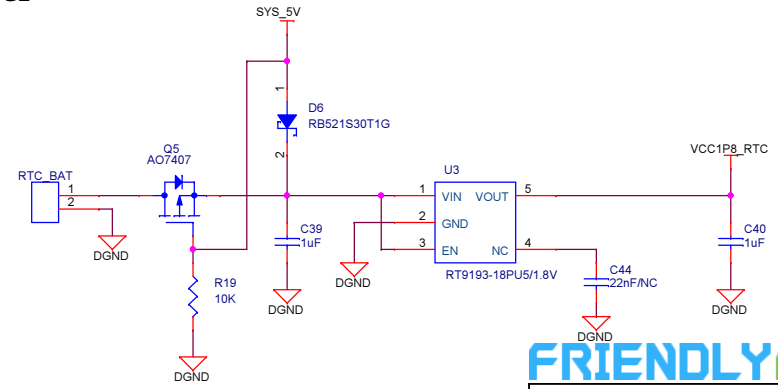
PMIC



VDD_ARM

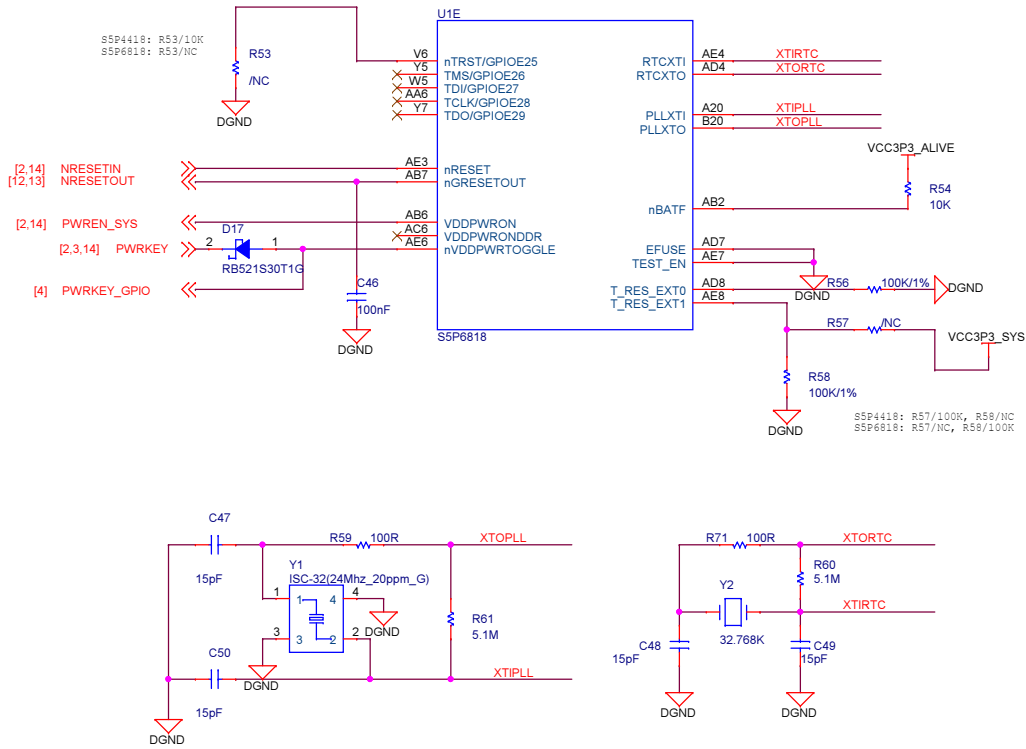


RTC Power

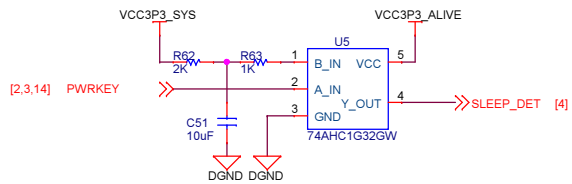


NanoPi M2A/M3		
Size A3	Document Number 02.PMIC	Rev 1604
Date: Wednesday, May 18, 2016	Sheet 2	of 15

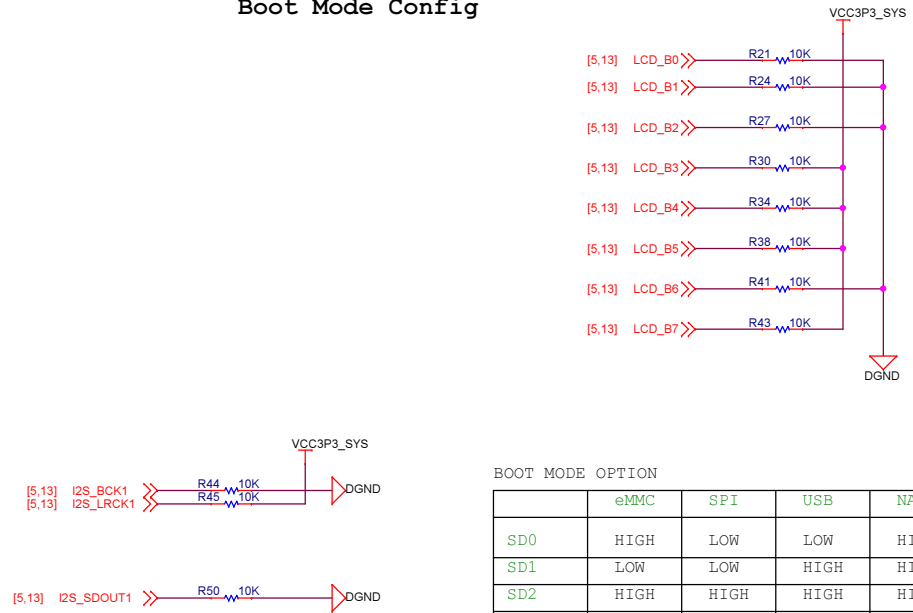
System Reset, Clocks



Sleep Detect



Boot Mode Config



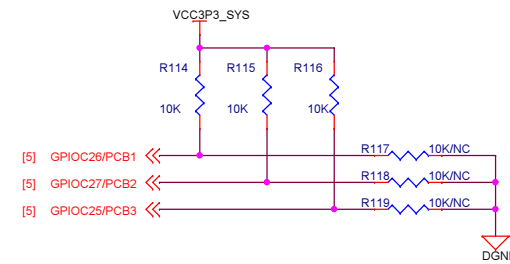
BOOT MODE OPTION

	eMMC	SPI	USB	NAND
SD0	HIGH	LOW	LOW	HIGH
SD1	LOW	LOW	HIGH	HIGH
SD2	HIGH	HIGH	HIGH	HIGH
SD4	LOW	HIGH		
SD5	LOW	LOW		

Boot media port select (SPI, eMMC)

	CH0	CH1	CH2
SD3	LOW	HIGH	LOW
CAM1_D3	LOW	LOW	HIGH

PCB Version

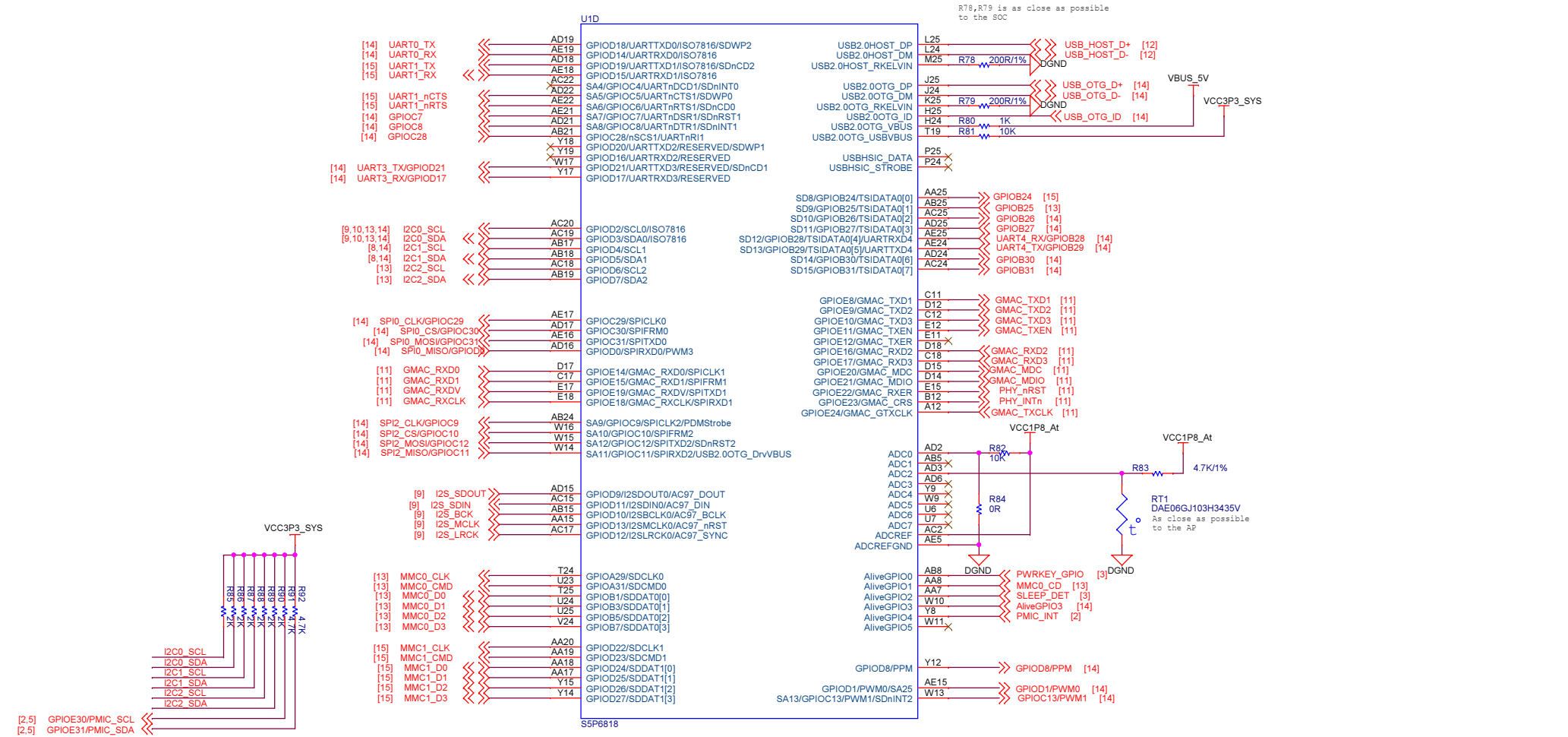


FRIENDLYARM

NanoPi M2A/M3

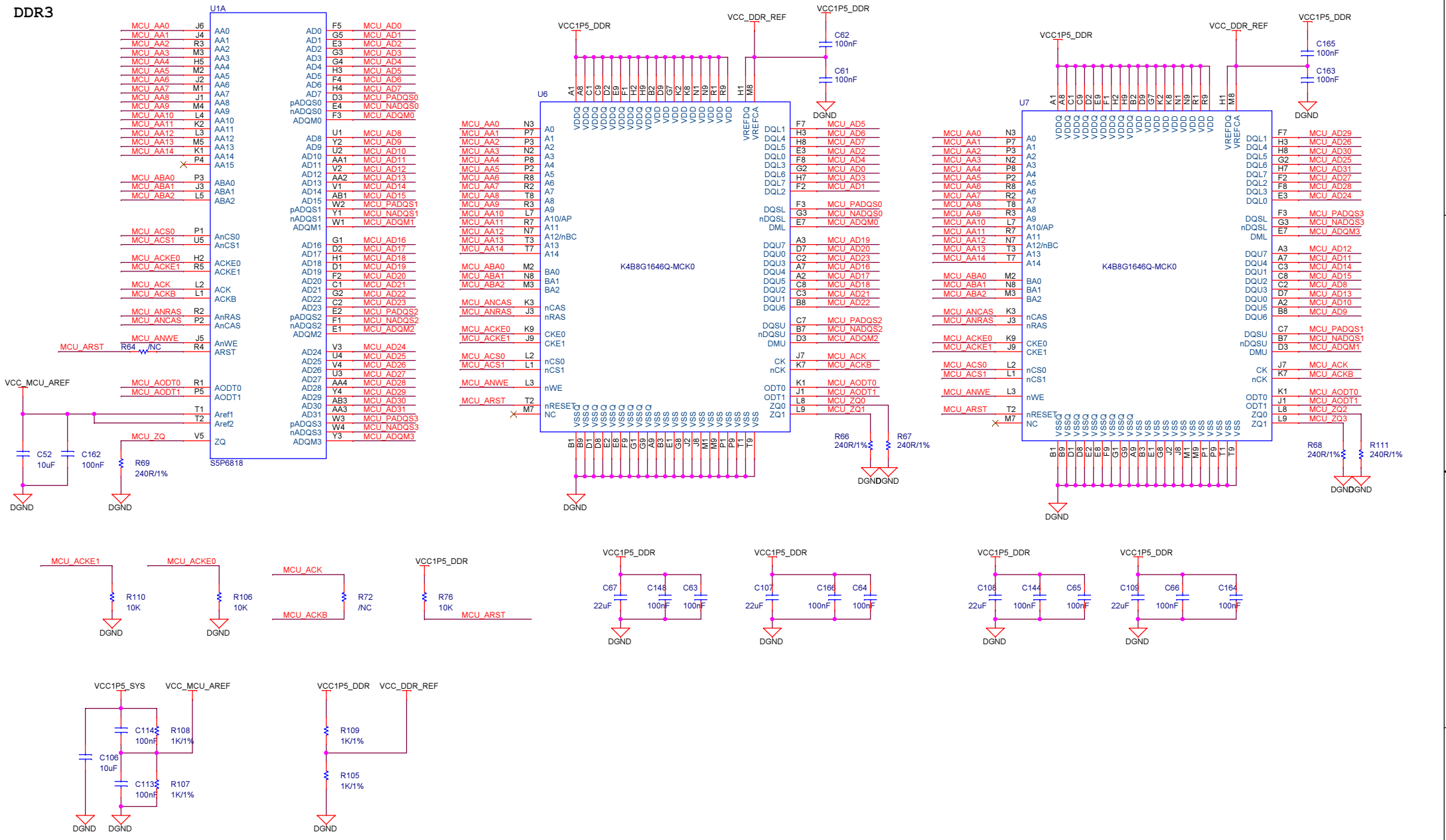
Size A3	Document Number 03.AP System Control	Rev 1604
Date: Wednesday, May 18, 2016	Sheet 3 of 15	

AP Peripherals

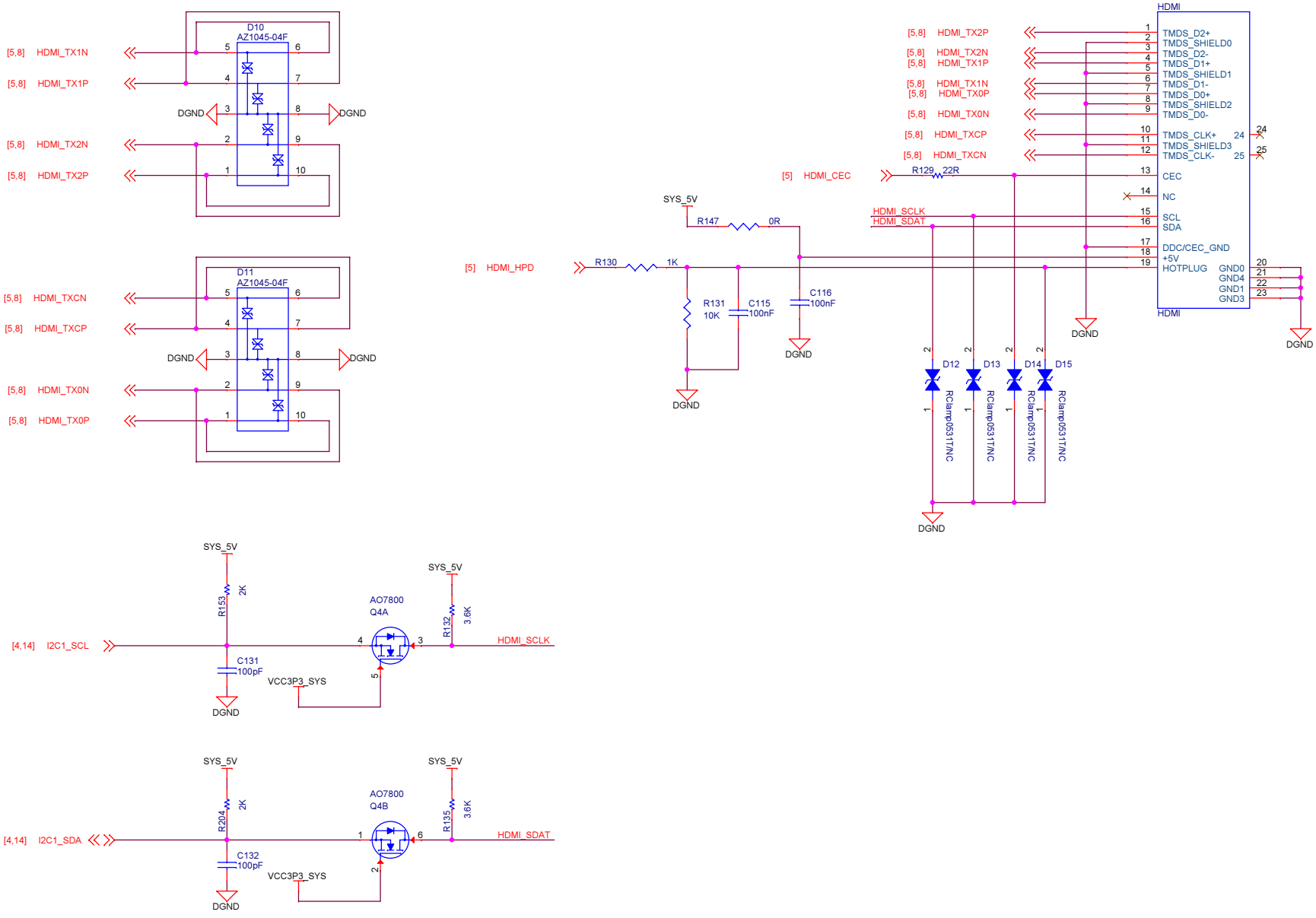


I2C CH0 : Camera
 I2C CH1 : HDMI EDID
 I2C CH2 : Touch
 PMIC_I2C : PMIC

DDR3



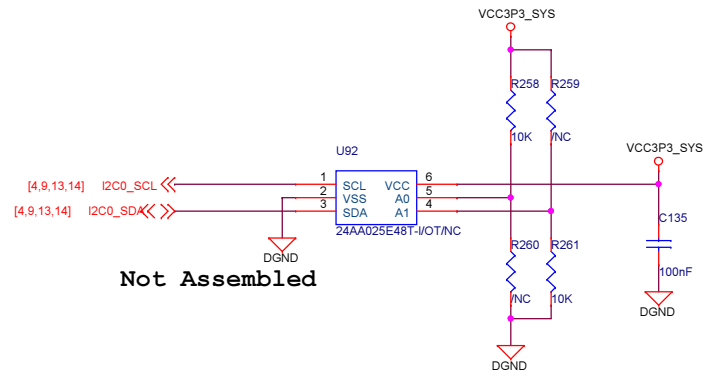
HDMI



FRIENDLYARM

NanoPi M2A/M3		
Size	Document Number	Rev
A3	09.HDMI	1604
Date:	Wednesday, May 18, 2016	Sheet 8 of 15

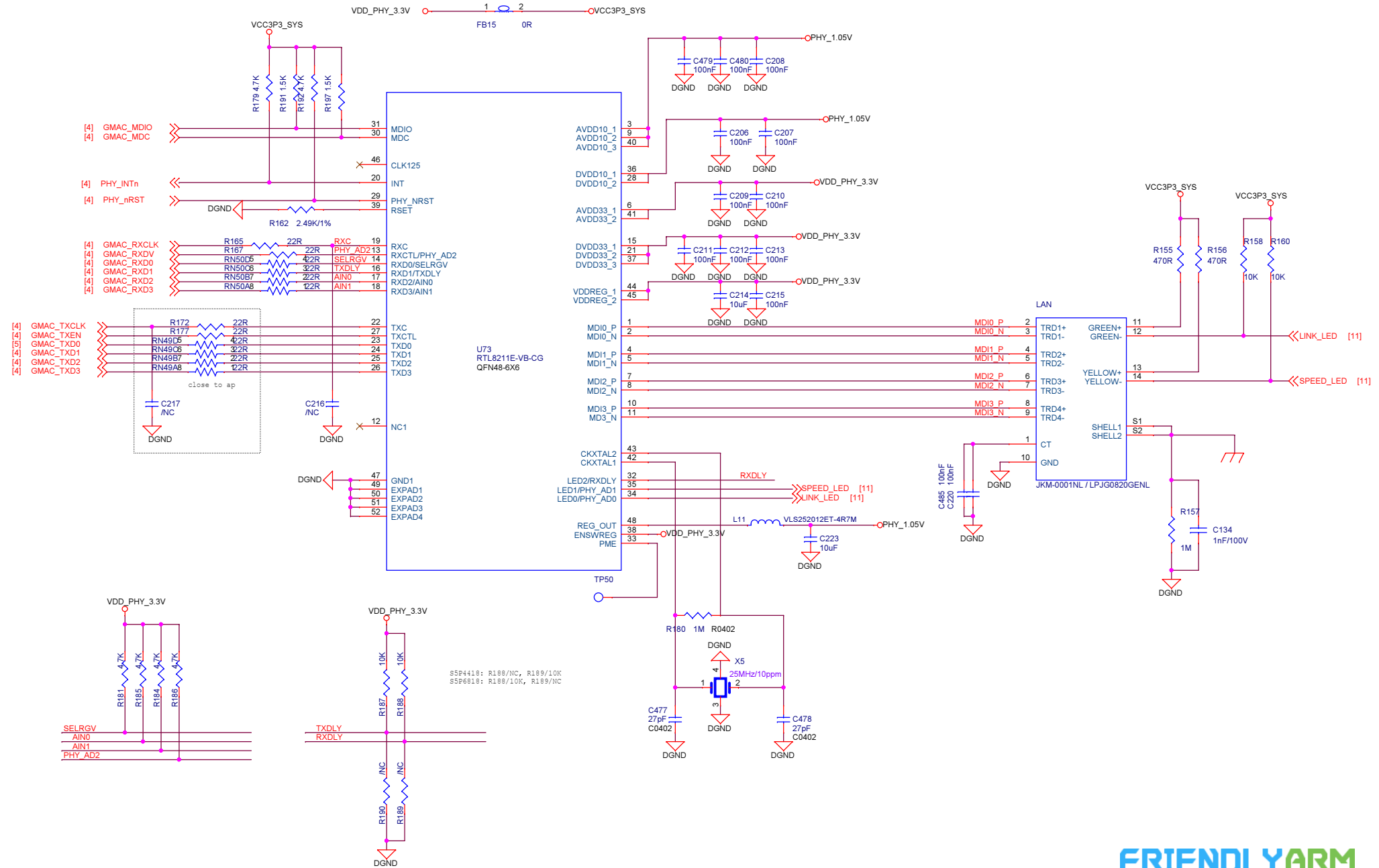
EEPROM with MAC Address



FRIENDLYARM

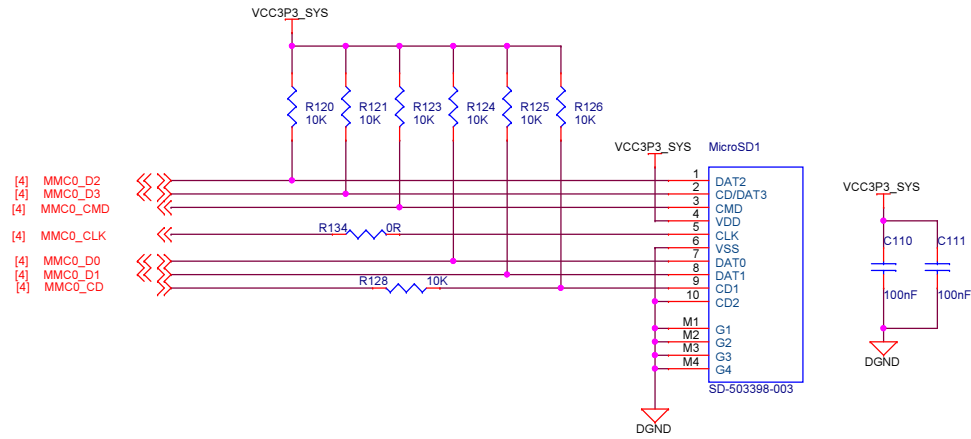
NanoPi M2AM3		
Size	Document Number	Rev
A3	11.EEPROM_SHA-256_Holes	1604
Date:	Wednesday, May 18, 2016	Sheet 10 of 15

10/100/1000M Ethernet

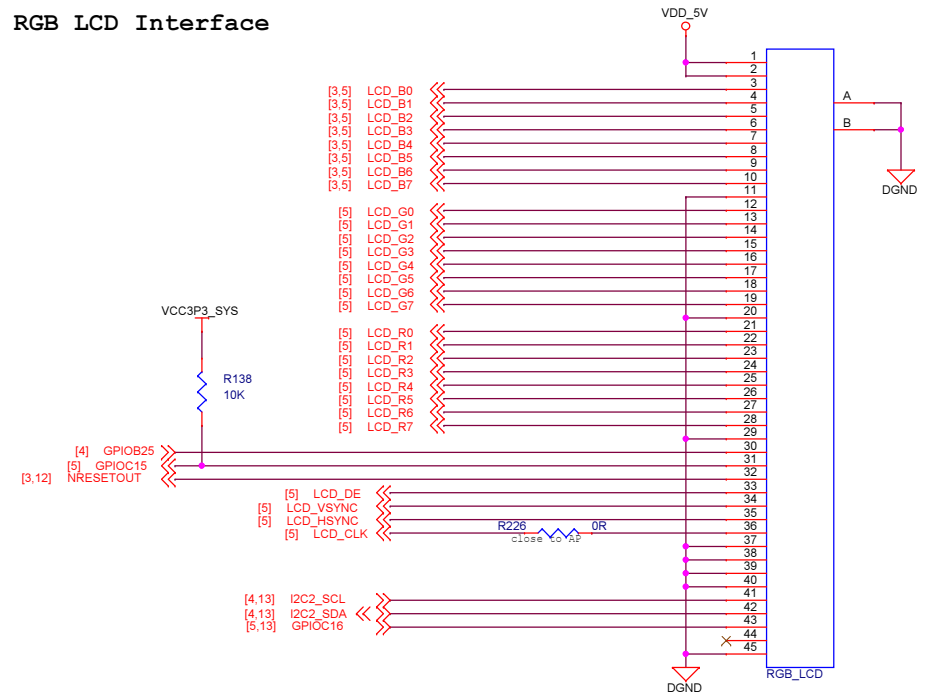


NanoPi M2A/M3		
Size A3	Document Number 14.LAN	Rev 1604
Date: Wednesday, May 18, 2016	Sheet 11	of 15

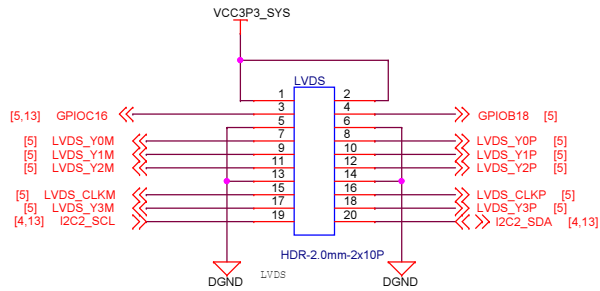
SDCARD



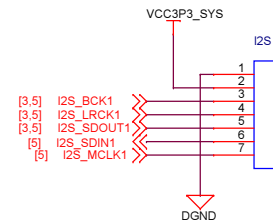
RGB LCD Interface



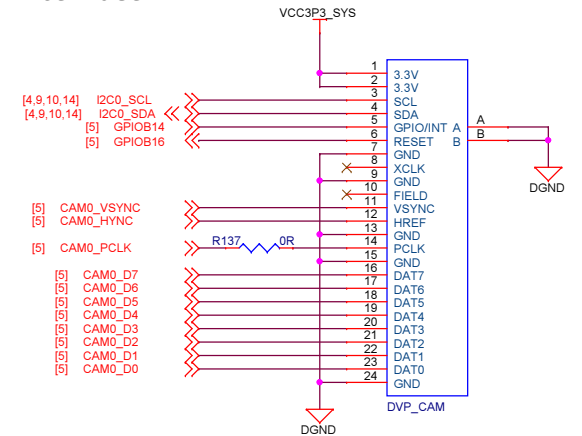
LVDS



I2S Interface

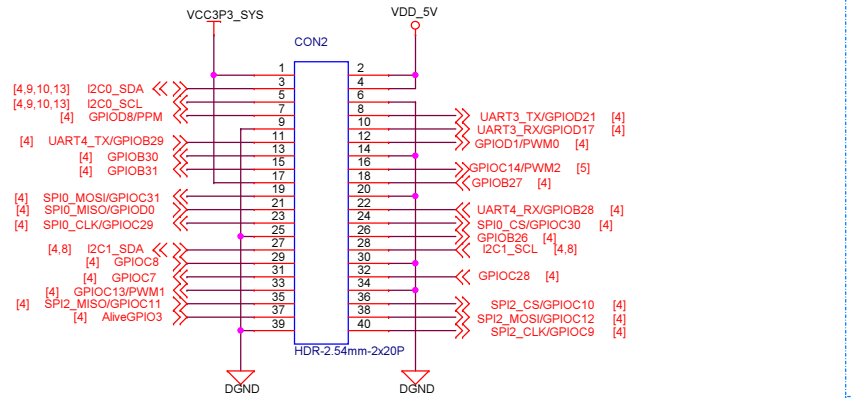


Camera Interface

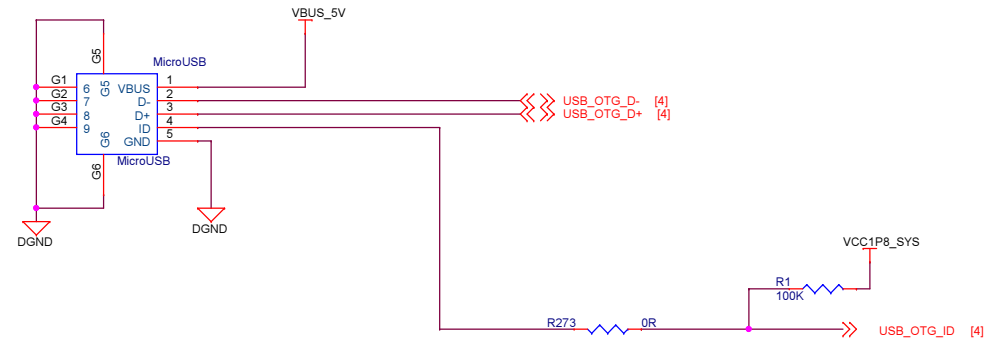


FRIENDLYARM

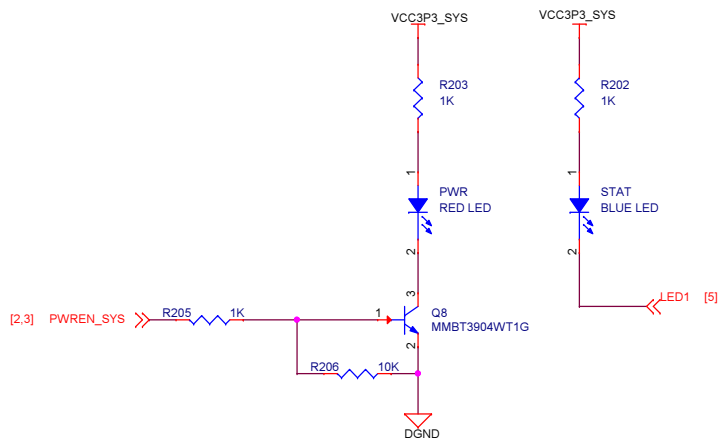
2.54mm Header



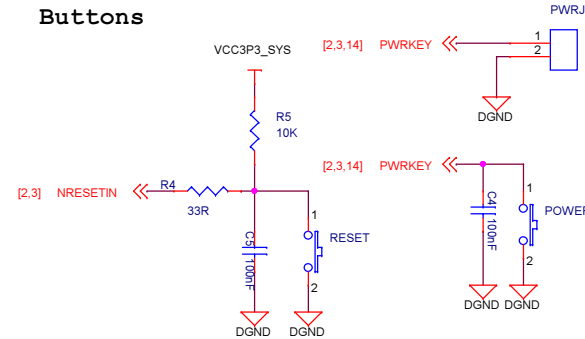
MicroUSB



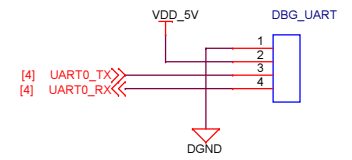
LEDs



Buttons



Debug UART



FRIENDLYARM

Wi-Fi/Bluetooth

